



Cloud Cap Technology TASE3AX

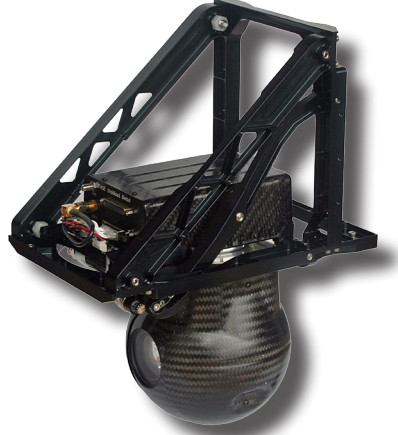
Compact Deployment System

The TASE 3AX deployment mechanism provides a solution for the TASE150 and TASE200 gimbals to retract into the aircraft during launch, belly-landing and normal operations. It is a compact, robust, light-weight, and low-cost deployment system. When retracted, roll and nod operations prevent gimbal lock while looking directly below the aircraft. The 3AX also provides emergency retract logic if loss of main power occurs.

Key Features

- Retraction control through the TASE gimbal
- Normal functioning when deployed or retracted
- Emergency retract logic on loss of main power
- Conveniently located hard points for mounting low in a fuselage

Innovative four bar linkage mechanism with positive locking in both deployed and retracted positions
Designed by Currawong Engineering



UTC Aerospace Systems

Electrical

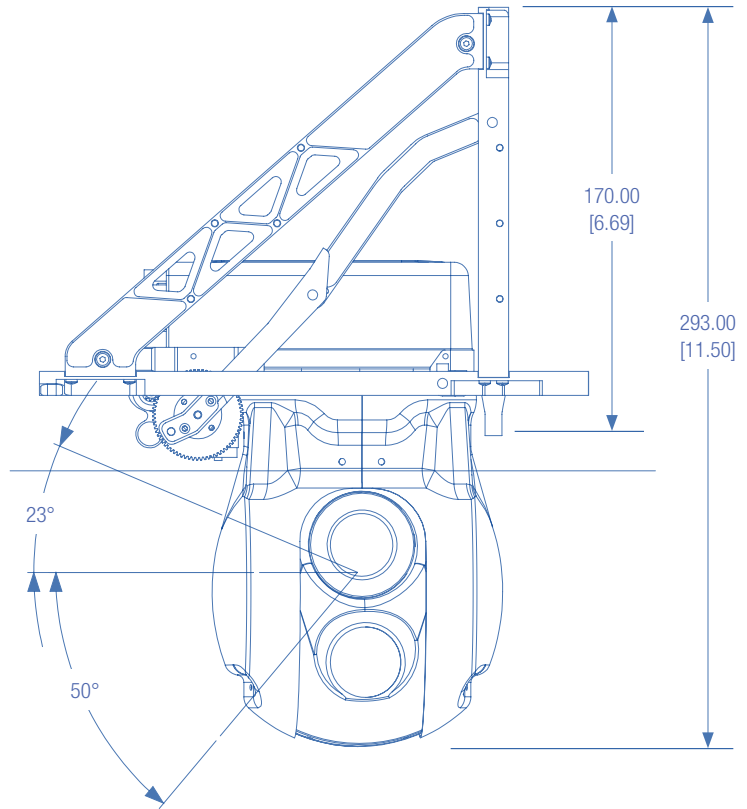
VIN: 8 – 20 Volts DC

Power: 3W during actuation, 1W when deployed

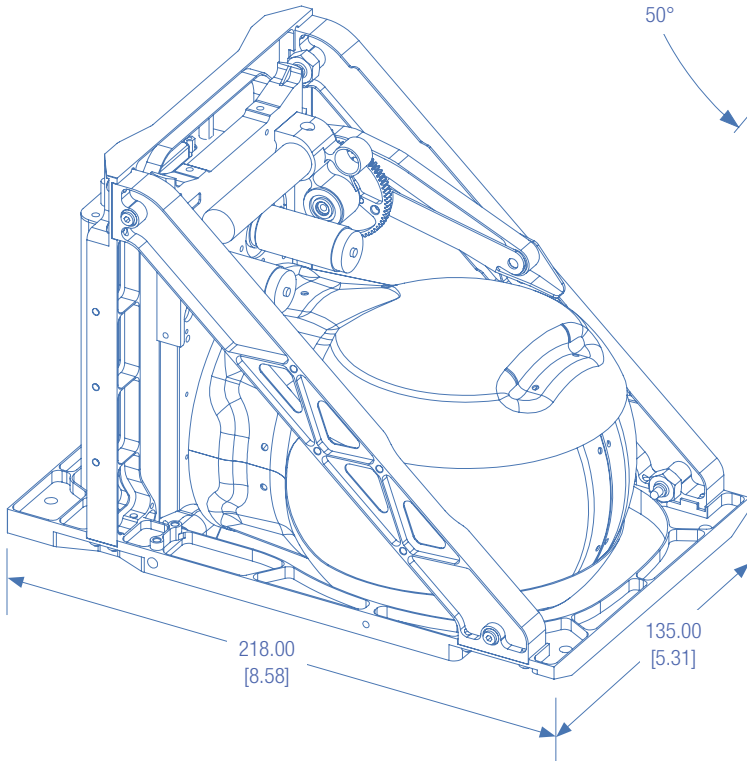
Mechanical

Overall Size: 135mm (5.3 inches) width x 154mm (6.7 inches) height x 218mm (8.6 inches) length

The actuator arm swings 13mm (0.6 inches) higher in actuation. Allow a clearance height of 167mm for deployment



Dimensions in mm [inches]



As a worldwide distributor of Currawong components, Cloud Cap is able to support individual customer's needs for components and custom integration efforts in addition to providing complete turn-key solutions.



For additional information:

UTC Aerospace Systems
202 Wasco Loop, Suite 103
Hood River, OR 97031
USA
Ph: +1.541.387.2120
www.cloudcaptech.com

Cloud Cap Technology
TASE Stabilized Gimbals

