



Cloud Cap Technology TASE310

High Definition Daylight Imaging

The TASE310 is a compact, light weight, low cost high performance HD daylight payload designed to satisfy the increasing demand for high definition imagery for applications that require installation flexibility and light weight. At just 6.5 pounds, the TASE310 features industry leading Size Weight and Power (SWaP), operator friendly software interfaces, onboard GPS/INS with integrated geo pointing, robust stabilization, and onboard video processing.

Key Features

- Full motion 1280 x 720 HD daylight camera
- Onboard GPS/INS - no external IMU needed for geo-pointing
- Fiber Optic Gyro (FOG) stabilization
- Common control and operator interface across TASE family
- Environmentally sealed
- Onboard image processing capable of target tracking, scene steering and electronic image stabilization

ViewPoint payload software features complete control of TASE payloads - integrated moving map, real-time mosaicing, Path-Track, and video recording



UTC Aerospace Systems

Payload Performance

Rotation Limits: 360° continuous pan, + 45° / -85° tilt

Slew Rate: 150°/sec

Payload Stabilization: 2axis, < 75 µRAD jitter

HD Daylight Camera

30x continuous optical zoom

Resolution: 1280 x 720

HFOV: 39.7°- 1.4°

Video Out:

- SD: NTSC or PAL

- HD-SDI: 720P 30Hz

Control Interface

RS-232, CAN, Ethernet (with adaptor)

Electrical

VIN: 10 - 30 Volts

Power: 20W (average) 125W (max)

Mechanical

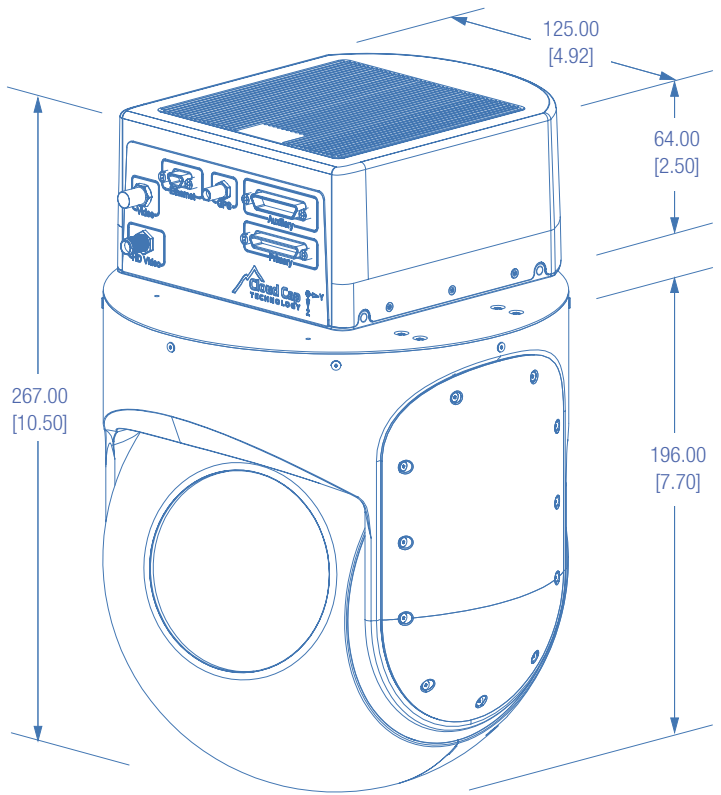
Size: 178 x 178 x 267 mm (7 x 7 x 10.5 inches)

Turret Diameter: 178 mm (7 inches)

Weight: 3 kg (6.5 lbs)

Environmental

Operating Temperature: -20°C to +60°C



Dimensions in mm [inches]

