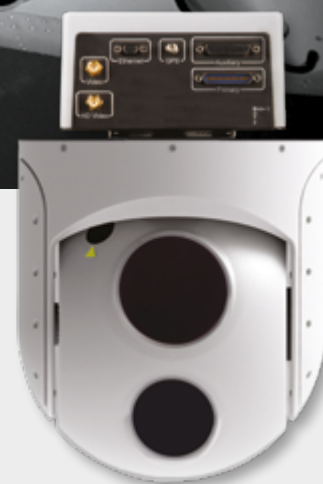




TASE400 BLK II

ADVANCED DAY/NIGHT IMAGING

The Collins Aerospace TASE400 BLK II is our latest generation imaging system. It features a mid-wave infrared camera with continuous optical zoom down to 1.9° FOV, a continuous zoom HD daylight camera, industry-leading stability and advanced processing. This payload is designed to provide superior day and night surveillance imaging for manned and unmanned airborne applications.



KEY FEATURES AND BENEFITS

- High performance and low SWaP at 8.1 lbs./3.67 kg
- Continuous zoom HD EO and SD MWIR cameras
- Onboard GPS/INS – no external IMU needed for geo-pointing
- Common control and operator interface across TASE family of systems
- Environmentally sealed
- Onboard image processing capable of target tracking, scene steering and electronic image stabilization
- ViewPoint payload software controls TASE payloads – integrated moving map, real-time mosaicing, Path-Track and video recording
- Non-ITAR

PAYLOAD PERFORMANCE

Rotation Limits: 360° continuous pan,
+ 45° / -85° tilt

Slew Rate: 150°/sec

Payload Stabilization: 2 axis

MID WAVE IR CAMERA

15x Optical Zoom

MWIR: 3 to 5 μm

Resolution: 640 x 512

HFOV: 29° - 1.9° continuous (SD)

2x, 4x digital

HD DAYLIGHT CAMERA

29x continuous optical zoom

HFOV: 45° - 1.9° (720p) 2x, 4x digital

Removable IR cut filter

CONTROL INTERFACE

RS-232, RS-422, RS-485, CAN, Ethernet

VIDEO OUT

NTSC, HD-SDI

H.264, H.265 with embedded KLV metadata

Adjustable bitrate

ELECTRICAL

VIN: 10 - 30 Volts

Power: 35 W (average) 100 W (max)

MECHANICAL

Diameter: 7 inches (177.8 mm)

Height: 10.5 inches (266.7 mm)

Weight: 8.1 lbs. (3.67 kg)

ENVIRONMENTAL

MIL-STD-810G

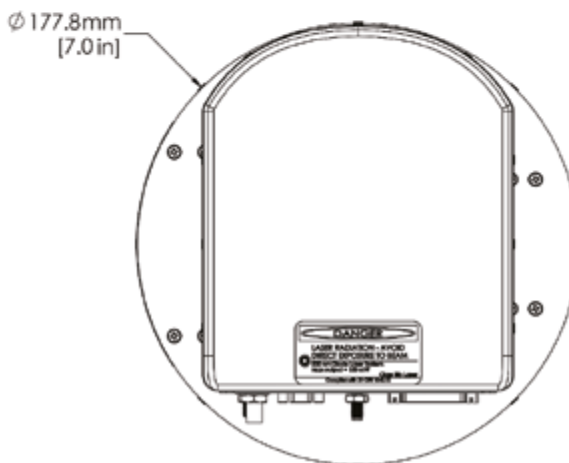
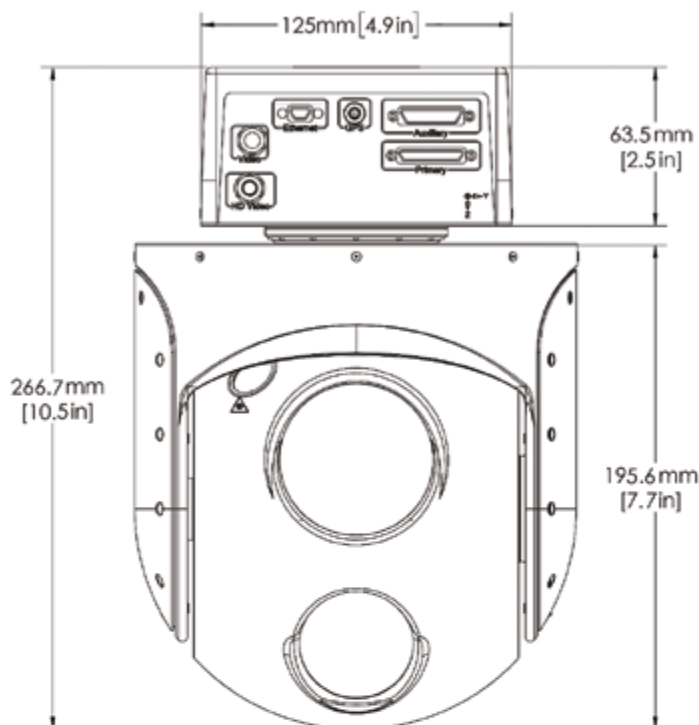
LASER ILLUMINATOR

(Narrow Beam)

Class IIIb laser¹

830 nm (NVG band)

150 mW max



Specifications subject to change without notice.