



Cloud Cap Technology TASE V-TRACT II

Compact Low Cost Retraction Solution for TASE Payloads

Protect your payload with the TASE V-TRACT II vertical retraction mechanism. The V-TRACT II provides a solution for the TASE310/350 and 400 series payloads to retract into the aircraft at any-time during flight, launch and landing operations.

Key Features

- Retraction control through the TASE payload
- Normal functioning when deployed
- Conveniently located hard points for mounting low in a fuselage
- Easy integration into airframe
- Robust and light-weight compact design
- Low-cost



UTC Aerospace Systems

Mechanical

Overall Size: 230.6mm (9.1 inches)
width x 223.3mm (8.8 inches) length

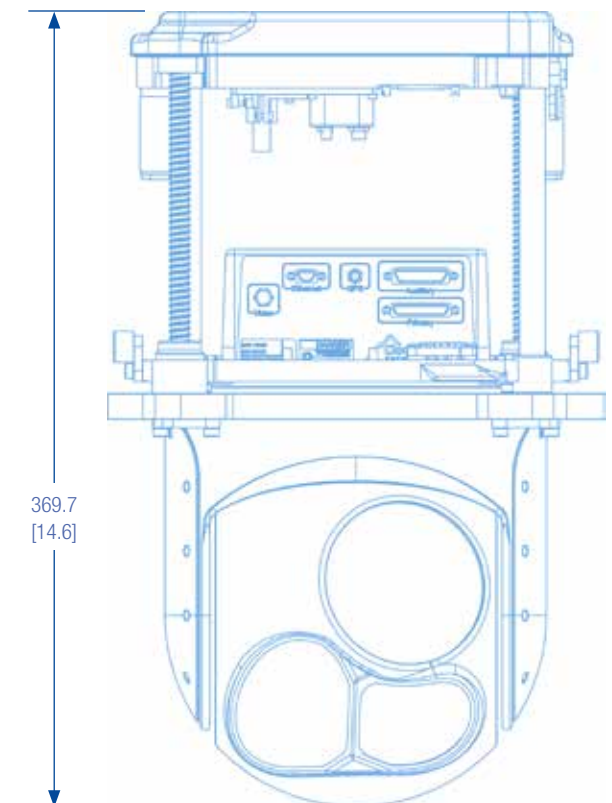
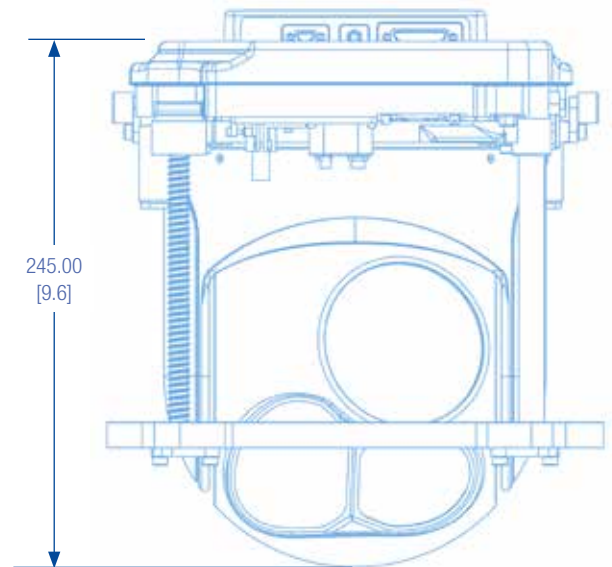
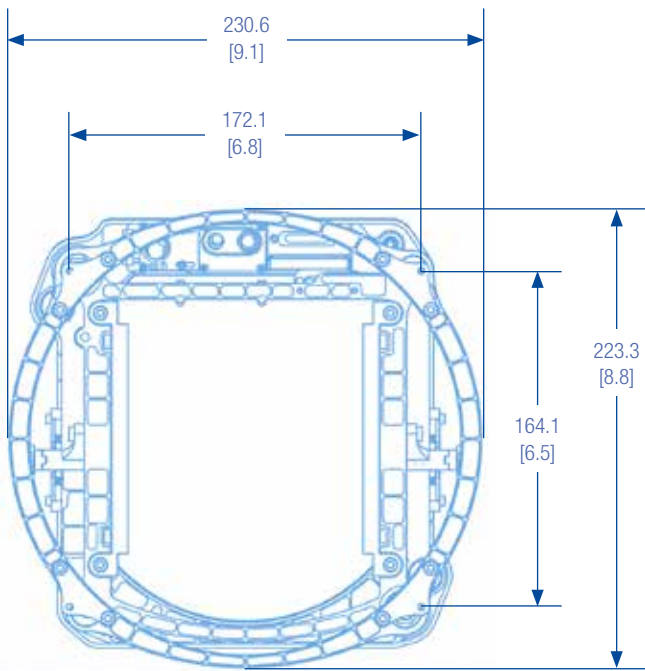
Overall height when deployed:
369.7mm (14.6 inches)

Electrical

Supply Voltage: 10 - 30 Volts DC

Power: 7.5 W during actuation

Peak Power: 30 W



See product mechanical drawings for detailed integration information.



For additional information:

UTC Aerospace Systems
202 Wasco Loop, Suite 103
Hood River, OR 97031
USA
Ph: +1.541.386.2120
www.cloudcaptech.com