

Payload Performance

Rotation Limits: 360° continuous pan, + 45° / -85° tilt

Slew Rate: 150°/sec

Payload Stabilization: 2-axis, < 75 µRAD jitter

Daylight Camera 1

31x continuous optical zoom

HFOV: 55.7°(SD) - 1.94° (HD)

Video Out: NTSC or PAL

Daylight Camera 2

121x fixed zoom

HFOV: 0.46°(SD) - 0.92° (HD)

Video Out: HD-SDI

Control Interface

RS-232, CAN, Ethernet (with adaptor)

Electrical

VIN: 10 - 30 Volts

Power: 50W (average) 125W (max)

Mechanical

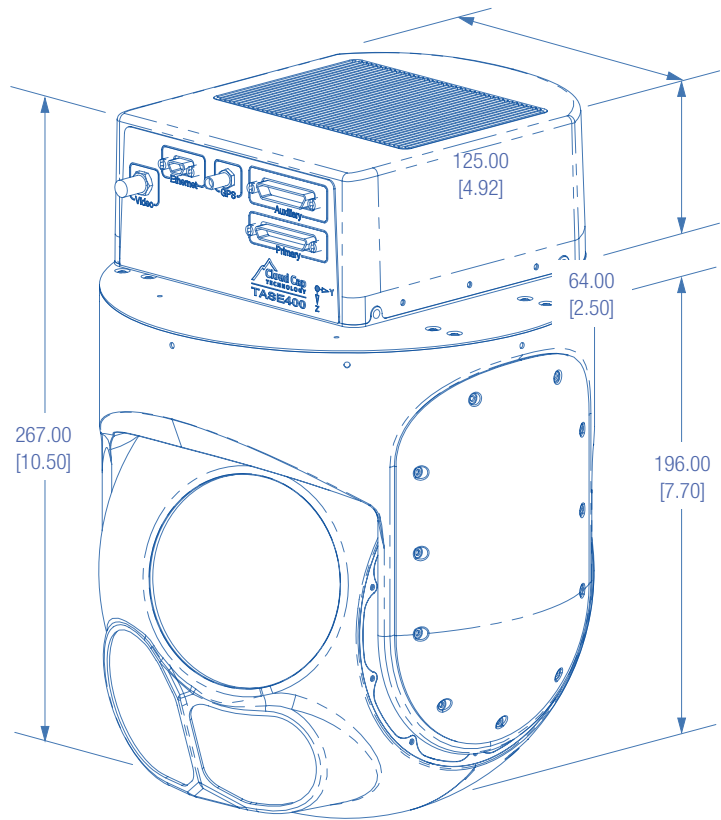
Size: 178 x 178 x 267 mm (7 x 7 x 10.5 inches)

Turret Diameter: 178 mm (7 inches)

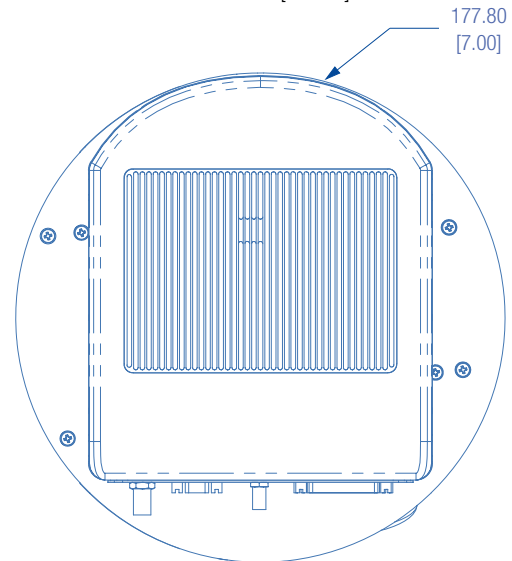
Weight: 3.5 kg (7.75 lbs)

Environmental

Operating Temperature: -20°C to +60°C



Dimensions in mm [inches]



For additional information: