



Cloud Cap Technology TASE350

Daylight HD / LWIR Night Imaging

The TASE350 is a high performance low cost EO and IR imager. At just 7.25 pounds, it features industry leading Size Weight and Power (SWaP), operator friendly software interfaces, onboard GPS/INS with integrated geo pointing, robust stabilization, and onboard video processing.

Key Features

Full motion EO imager and step zoom LWIR camera (HD option available)

Video from multiple cameras can be switched onboard or viewed simultaneously

Onboard GPS/INS - no external IMU needed for geo-pointing

Fiber Optic Gyro (FOG) stabilization

Common control and operator interface across TASE family

Environmentally sealed

Onboard image processing capable of target tracking, scene steering and electronic image stabilization

ViewPoint payload software features complete control of TASE payloads - integrated moving map, real-time mosaicing, Path-Track, and video recording

Laser illuminator, laser rangefinder (optional)



UTC Aerospace Systems

Payload Performance

Rotation Limits: 360° continuous pan, + 45° / -85° tilt
Slew Rate: 150°/sec
Payload Stabilization: 2axis, < 75 μRAD jitter

Long Wave IR Camera

Dual field of view lens
HFOV: 15.5° - 6.2°
Resolution: 640 x 480
Video Out: NTSC or PAL

Daylight Camera

31x continuous optical zoom
HFOV: 55.7° - 1.94°
Video Out: NTSC or PAL

HD Daylight Camera (optional)

30x continuous optical zoom
Resolution: 1280 x 720
HFOV: 39.7° - 1.4°
Video Out:
- SD: NTSC or PAL
- HD-SDI: 720P 30Hz

Laser Rangefinder (optional)

Class I Eye-safe
1550 nm
4km range

Laser Illuminator (optional)

Class IIIb laser¹
850 nm (NVG band)
150 mW max
2mRAD divergence

Control Interface

RS-232, CAN, Ethernet (with adaptor)

Electrical

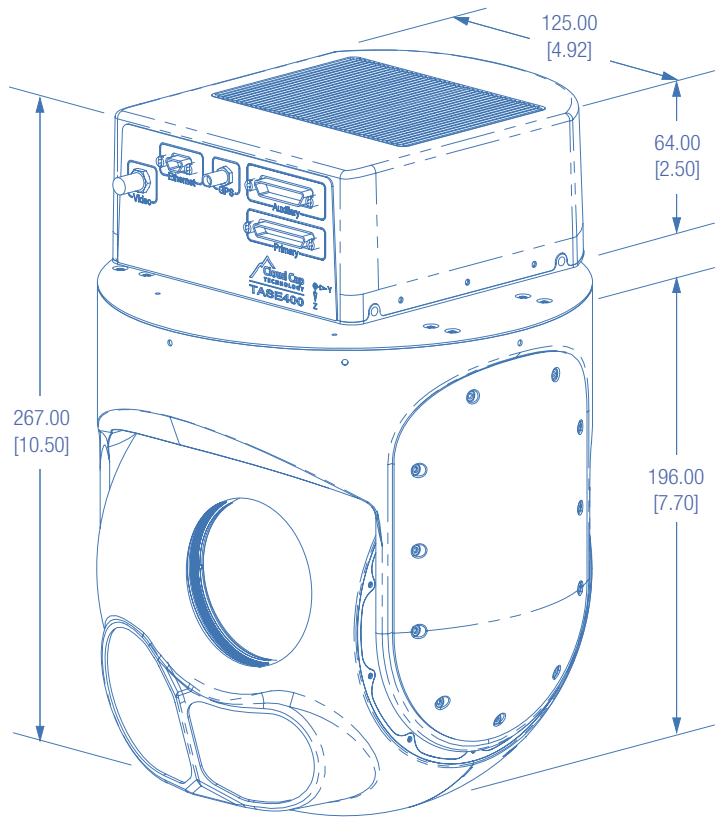
VIN: 10 - 30 Volts
Power: 25W (average) 100W (max)

Mechanical

Size: 178 x 178 x 267 mm (7 x 7 x 10.5 inches)
Turret Diameter: 178 mm (7 inches)
Weight: 3.2 kg (7.25 lbs)

Environmental

Operating Temperature: -20°C to +60°C



Dimensions in mm [inches]

