



Cloud Cap Technology TASE150 / TASE200

Compact Lightweight Daylight / IR Imaging

The TASE150 and TASE200 are compact, light weight, low cost daylight and IR payloads designed to satisfy the increasing demand for applications that require installation flexibility and light weight. At just 1.98 and 2.3 pounds, the TASE150 and TASE200 feature industry leading Size Weight and Power (SWaP), operator friendly software interfaces, and onboard GPS/INS with integrated geo pointing.

Key Features

- Full motion EO and 640 x 480 LWIR imager
- Onboard GPS/INS - no external IMU needed for geo-pointing
- Common control and operator interface across TASE family
- External video processing unit provides target tracking, scene steering and electronic image stabilization

ViewPoint payload software features complete control of TASE payloads - integrated moving map, real-time mosaicing, Path-Track, and video recording



TASE150
Daylight Camera



TASE200
Daylight Camera and
LWIR Camera



UTC Aerospace Systems

Payload Performance

Rotation Limits: 360° continuous pan

Slew Rate: 150°/sec

Daylight Camera (TASE150/200)

31x continuous optical zoom

HFOV: 55.7°- 1.94°

Video Out: NTSC or PAL

Long Wave IR Camera (TASE200 only)

TASE200 only

59 mm lens

HFOV: 10.5°

Resolution: 640 x 480

Video Out: NTSC or PAL

Control Interface

RS-232 and CAN

Electrical

VIN: 9 - 20 Volts

Power: 14W (average) 22W (max) TASE200

TASE 150 Mechanical

Diameter: 4.4 inches (112 mm)

Height: 7.0 inches (178 mm)

Weight: 1.98 lbs (900 kg)

TASE 200 Mechanical

Diameter: 4.5 inches (115 mm)

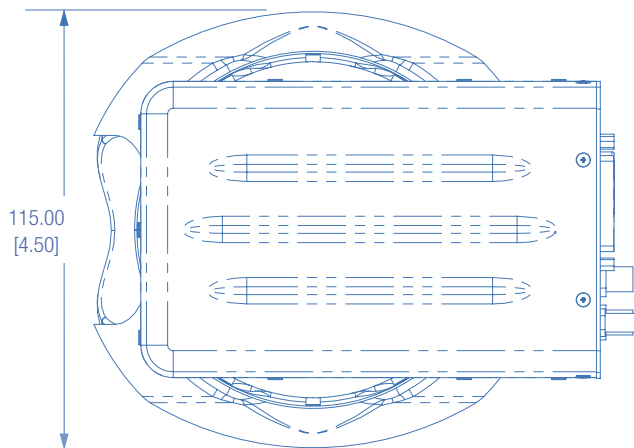
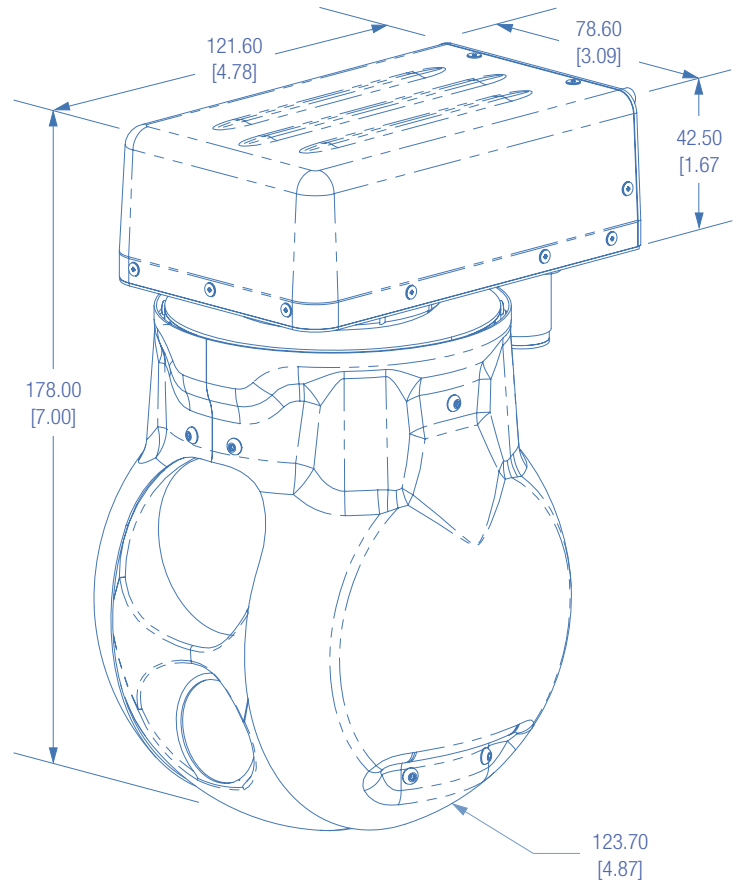
Height: 7.5 inches (192 mm)

Weight: 2.34 lbs (1.06 kg)

Environmental

Operating Temperature: -20°C to +60°C
(excluding camera)

TASE200 camera bay environmentally sealed



For additional information:

Cloud Cap Technology
202 Wasco Loop, Suite 103
Hood River, OR 97031
USA
Ph: +1.541.387.2120
www.cloudcaptech.com
March 2015