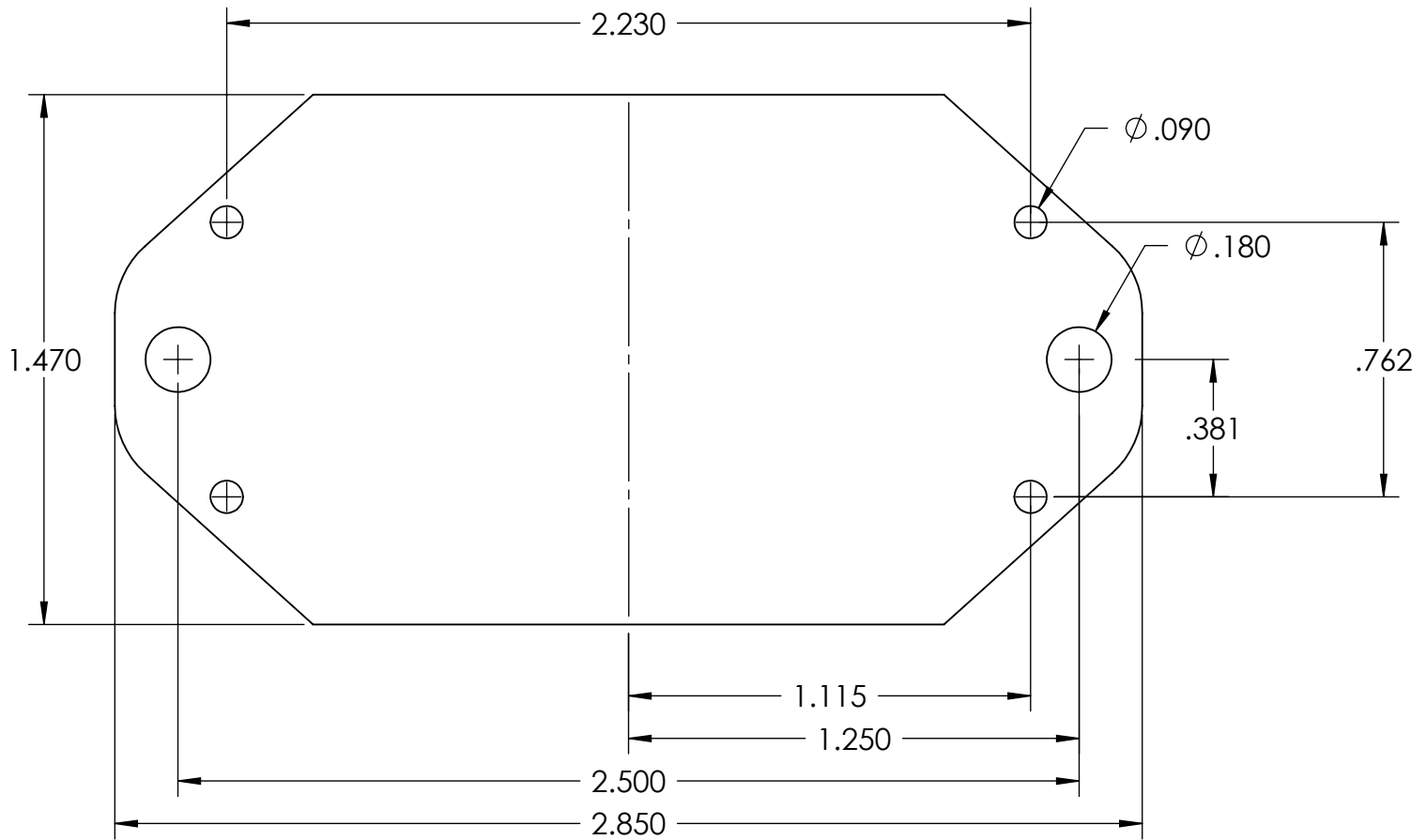


REV.	DATE	DESCRIPTION
A-01		



UNLESS OTHERWISE SPECIFIED:  
 DIMENSIONS ARE IN **INCHES**  
 TOLERANCES: ANGULAR =  $\pm 0^{\circ}30'$   
 DECIMAL:  
 .X =  $\pm 0.05$   
 .XX =  $\pm 0.01$   
 .XXX =  $\pm 0.005$



DESCRIPTION:  
**IMU Cover**

DRAWN BY: <b>CCT DRAFTER</b>	2/16/2011	SIZE <b>A</b>	PART # <b>610-01326-00</b>	PART REV. <b>A-01</b>
------------------------------	-----------	---------------	----------------------------	-----------------------

**PROPRIETARY AND CONFIDENTIAL**  
 THE INFORMATION CONTAINED IN THIS DRAWING IS THE SOLE PROPERTY OF **CLOUD CAP TECHNOLOGY, INC.** ANY REPRODUCTION IN PART OR AS A WHOLE WITHOUT THE WRITTEN PERMISSION OF THE ABOVE IS PROHIBITED.

MATERIAL: **6061 Alloy**  
 FINISH: **Black Anodized**

WEIGHT: <b>0.0</b>	SCALE: <b>2:1</b>	SHEET <b>1</b> OF <b>1</b>
--------------------	-------------------	----------------------------