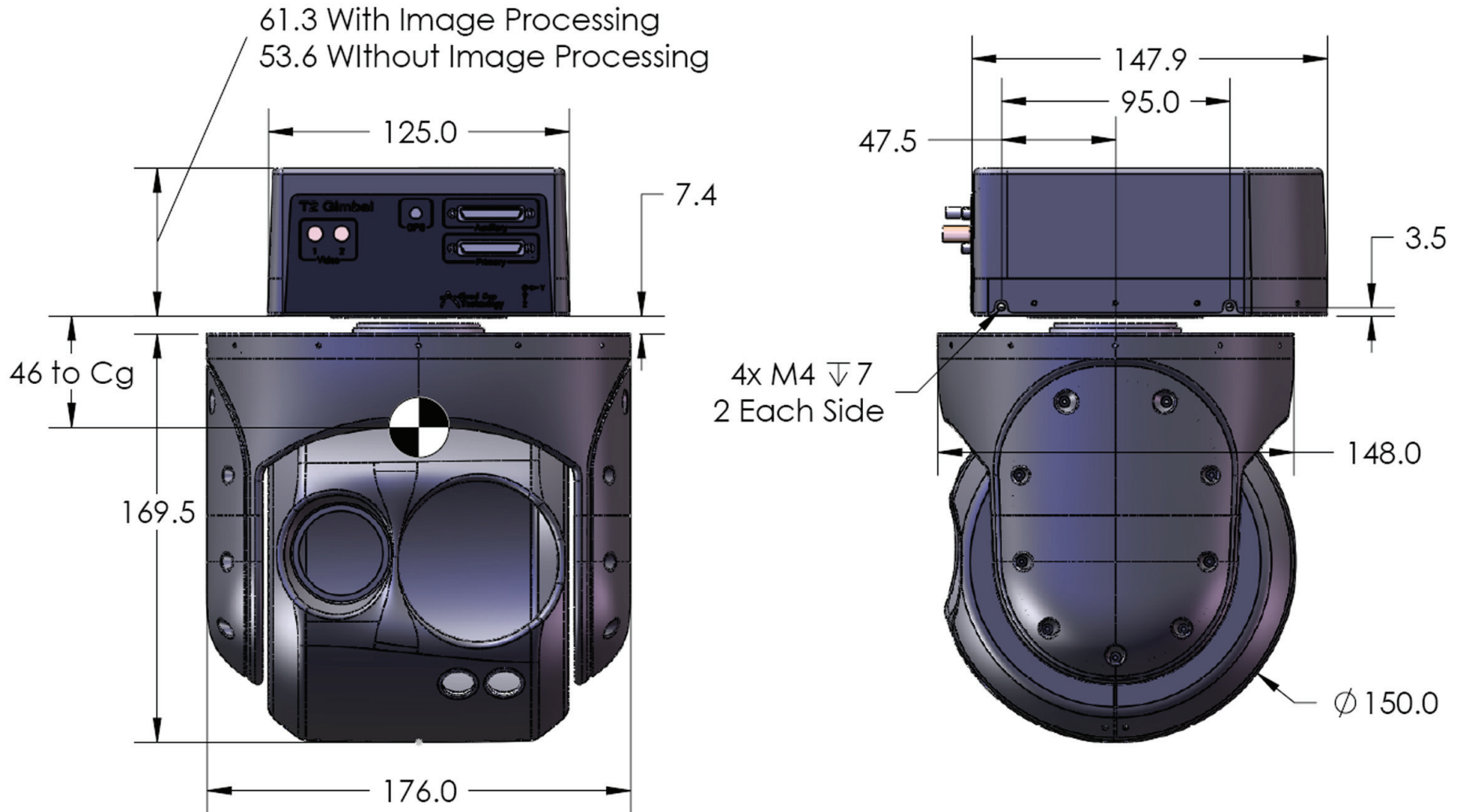
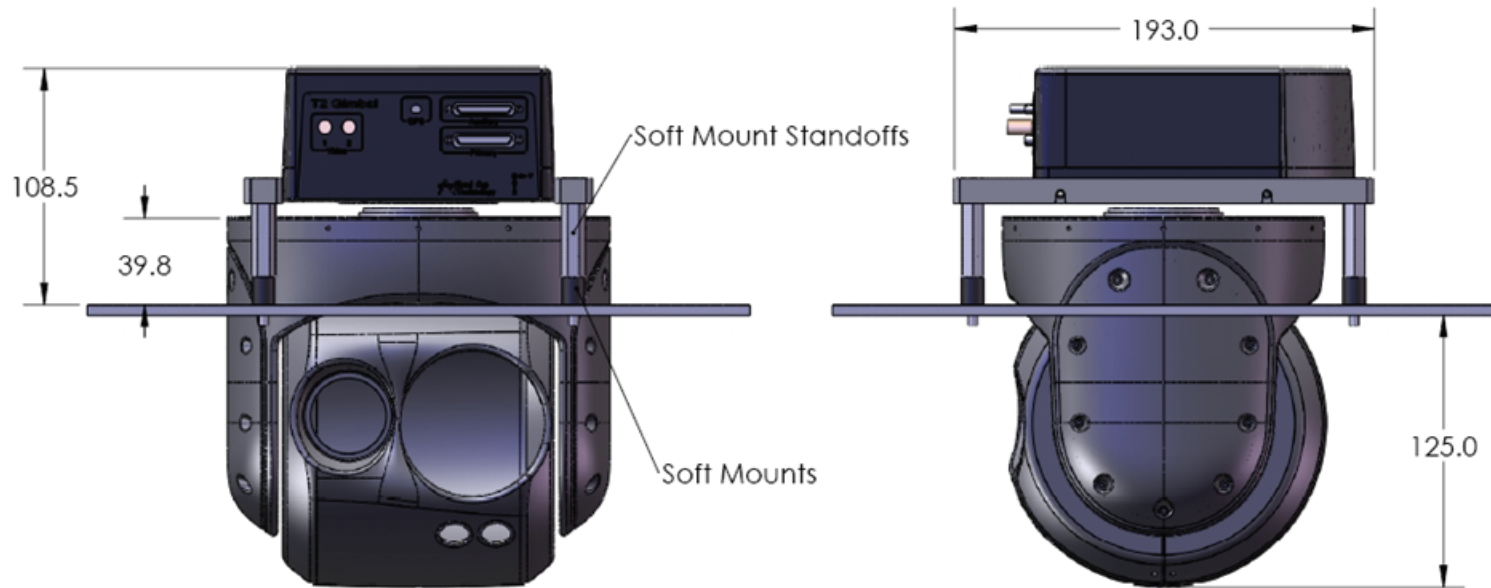


TASE300 Dimensions and Soft Mount Drawings





The configuration shown has the soft mounts located on the gimbal center of gravity. If there is not enough head room available for the configuration shown, the soft mount standoffs shown above can be shortened or removed.

Dimensions in mm [inches].

