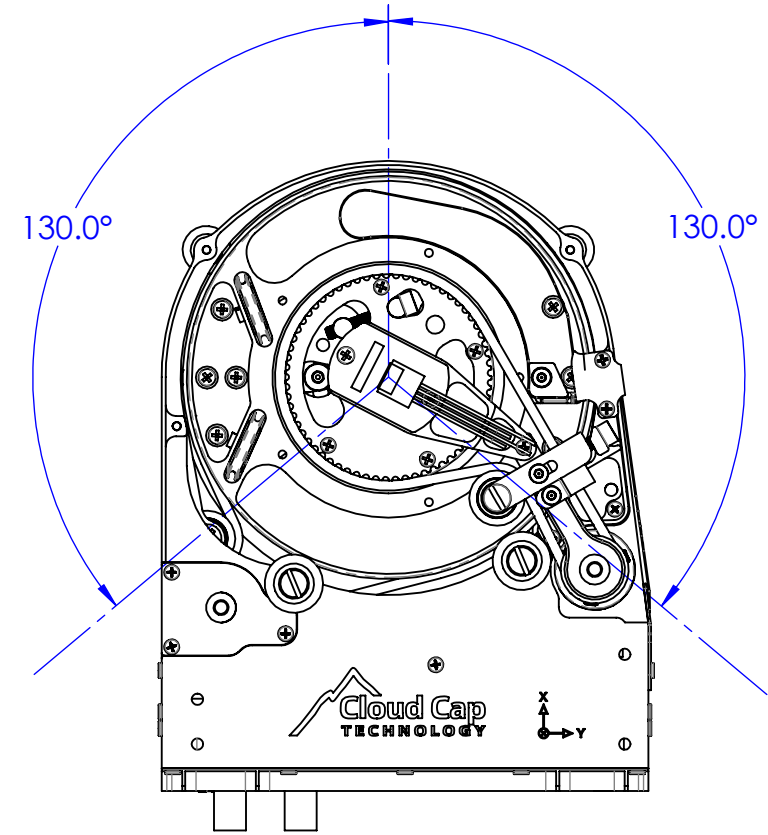
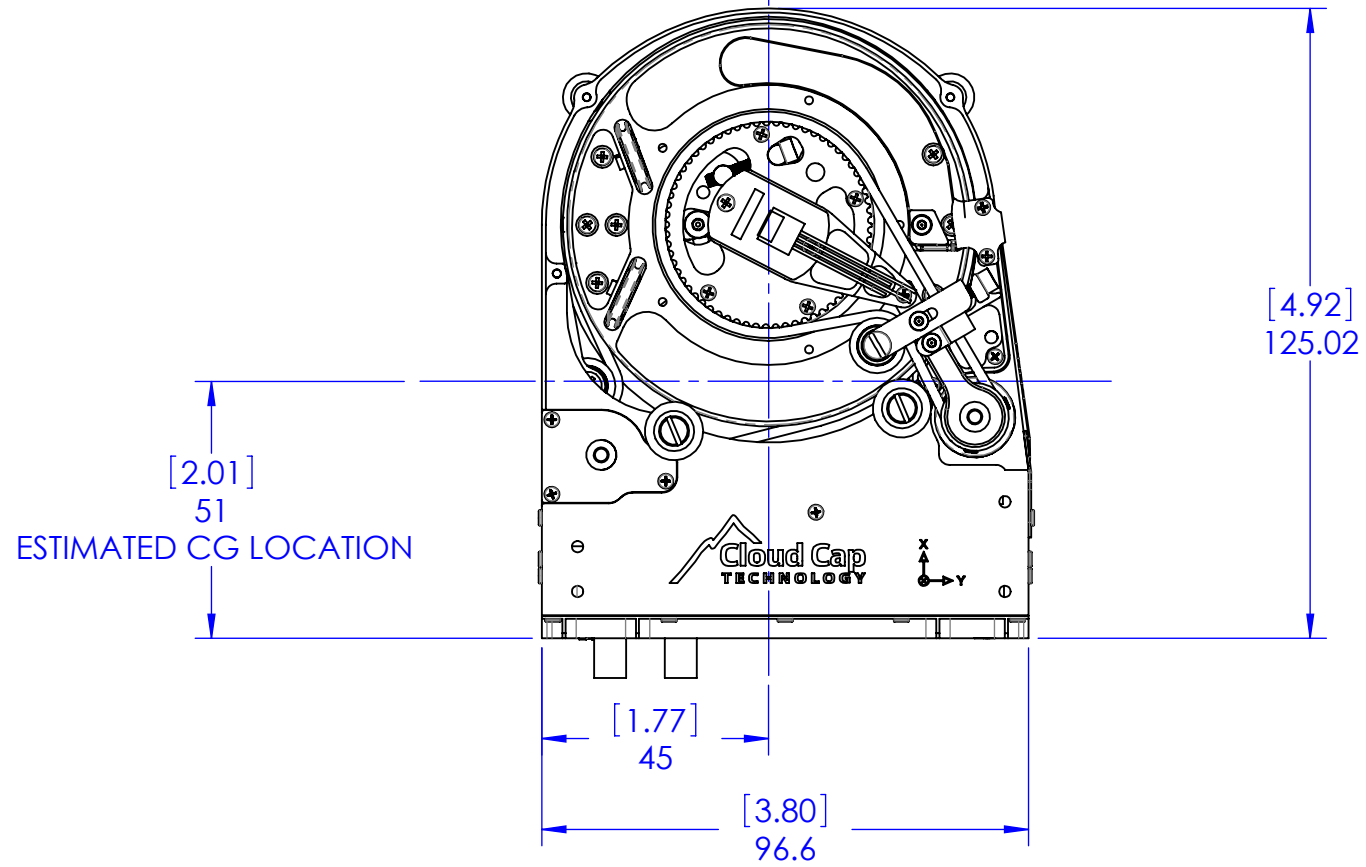
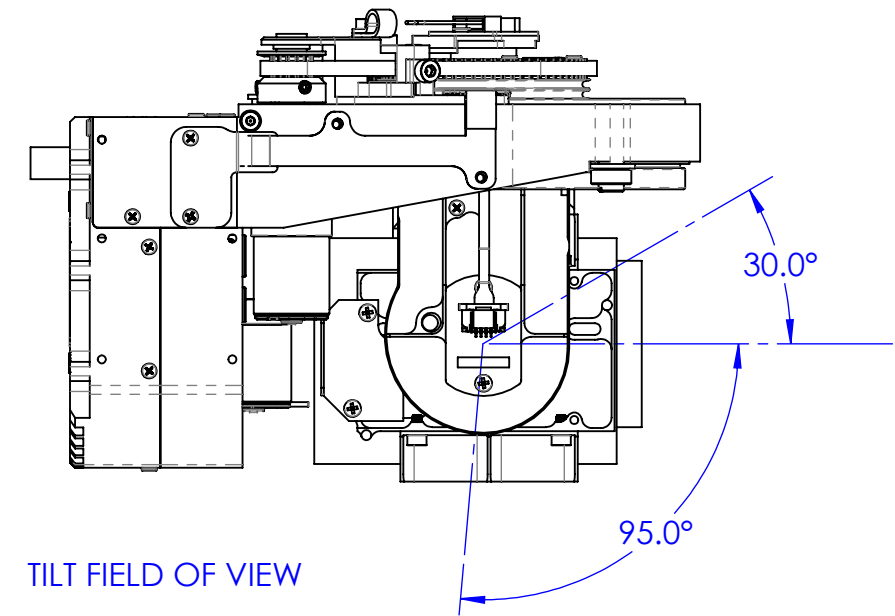
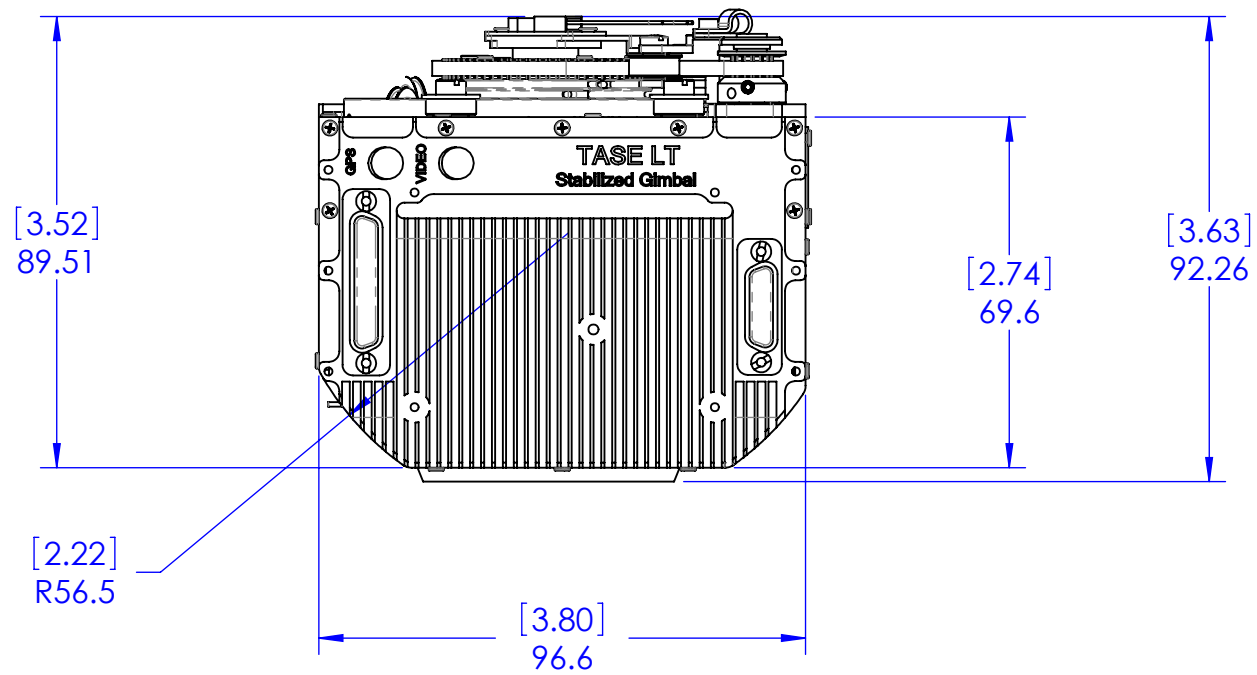


| DWG REV. | DATE | DESCRIPTION |
|----------|-----------|---------------------------------------|
| D-01 | 9/22/2010 | UPDATED TO INCLUDE NEW REAR ENCLOSURE |
| C | 3/19/2009 | ADDED MISSING DIMENSIONS |
| B | 3/2/2009 | ADDED ADDITIONAL MOUNTING LOCATIONS |



PAN FIELD OF VIEW



TILT FIELD OF VIEW

UNLESS OTHERWISE SPECIFIED:
 DIMENSIONS ARE IN MILLIMETERS
 TOLERANCES: ANGULAR = ±0°30'
 DECIMAL: X = ±0.5
 .X = ±0.1
 .XX = ±0.05



DESCRIPTION:
TASE100 Gimbal

PROPRIETARY AND CONFIDENTIAL
 THE INFORMATION CONTAINED IN THIS DRAWING IS THE SOLE PROPERTY OF CLOUD CAP TECHNOLOGY, INC. ANY REPRODUCTION IN PART OR AS A WHOLE WITHOUT THE WRITTEN PERMISSION OF THE ABOVE IS PROHIBITED.

DRAWN BY: CCT DRAFTER 9/22/2010
 MATERIAL: per part
 FINISH: per part

| | | |
|----------------|---------------------|--------------|
| SIZE | PART # | PART REV. |
| B | 900-90020-00 | D-01 |
| WEIGHT: ~952.9 | SCALE: 16:1 | SHEET 1 OF 2 |

8 7 6 5 4 3 2 1

D

C

B

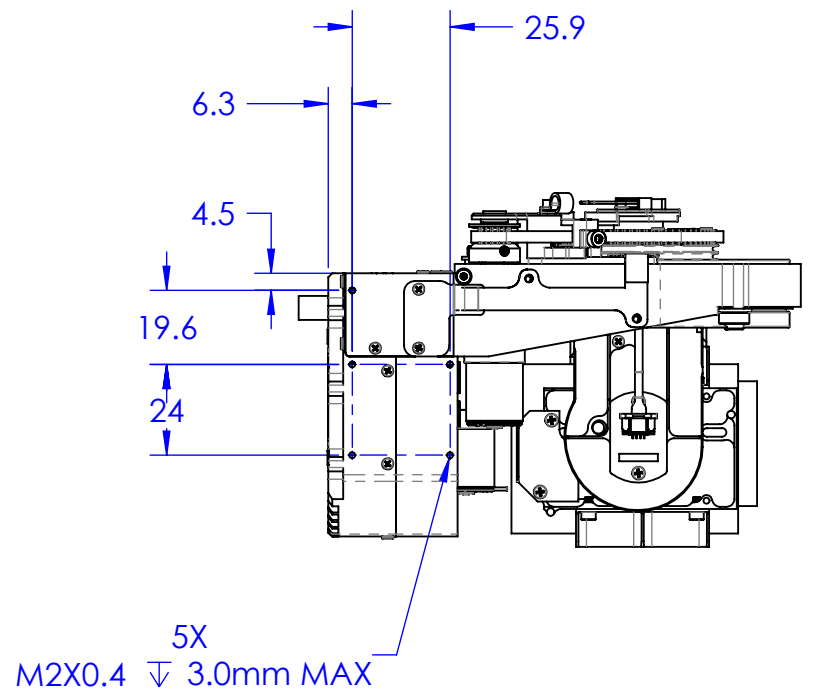
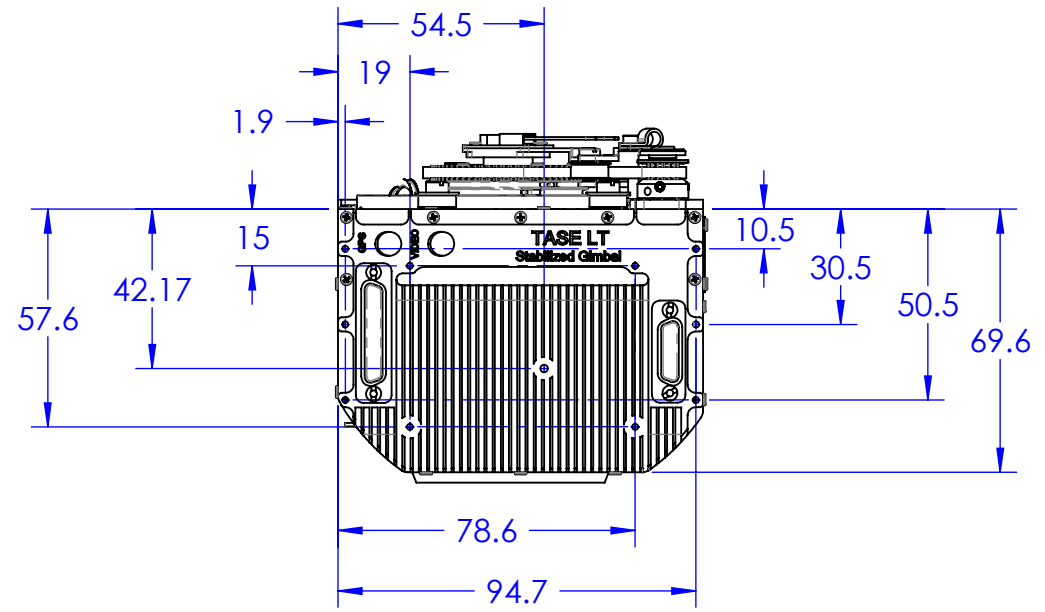
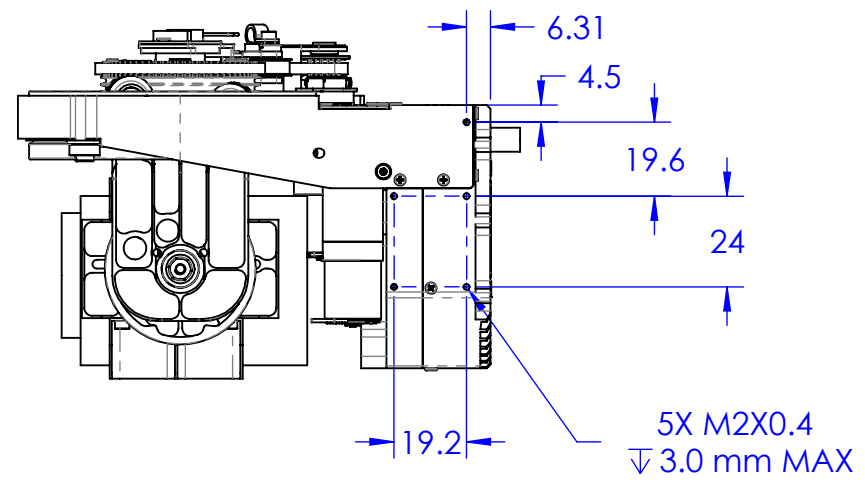
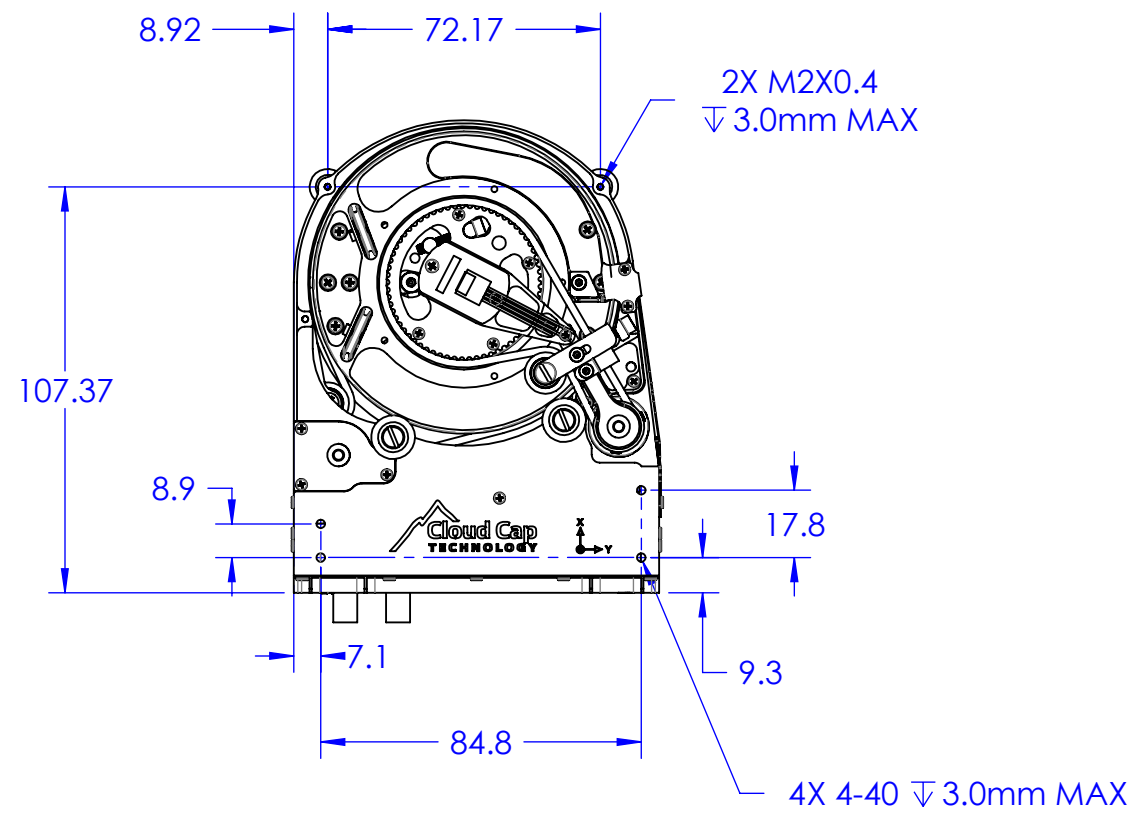
A

D

C

B

A



UNLESS OTHERWISE SPECIFIED:
 DIMENSIONS ARE IN MILLIMETERS
 TOLERANCES: ANGULAR = ±0°30'
 DECIMAL: X = ±0.5
 .X = ±0.1
 .XX = ±0.05

PROPRIETARY AND CONFIDENTIAL
 THE INFORMATION CONTAINED IN THIS
 DRAWING IS THE SOLE PROPERTY OF
 CLOUD CAP TECHNOLOGY, INC. ANY
 REPRODUCTION IN PART OR AS A WHOLE
 WITHOUT THE WRITTEN PERMISSION OF
 THE ABOVE IS PROHIBITED.

| | | |
|-----------|-------------|--------------|
| PART # | | 900-90020-00 |
| PART REV. | SCALE: 16:1 | SHEET 2 OF 2 |
| D-01 | | |

8 7 6 5 4 3 2 1